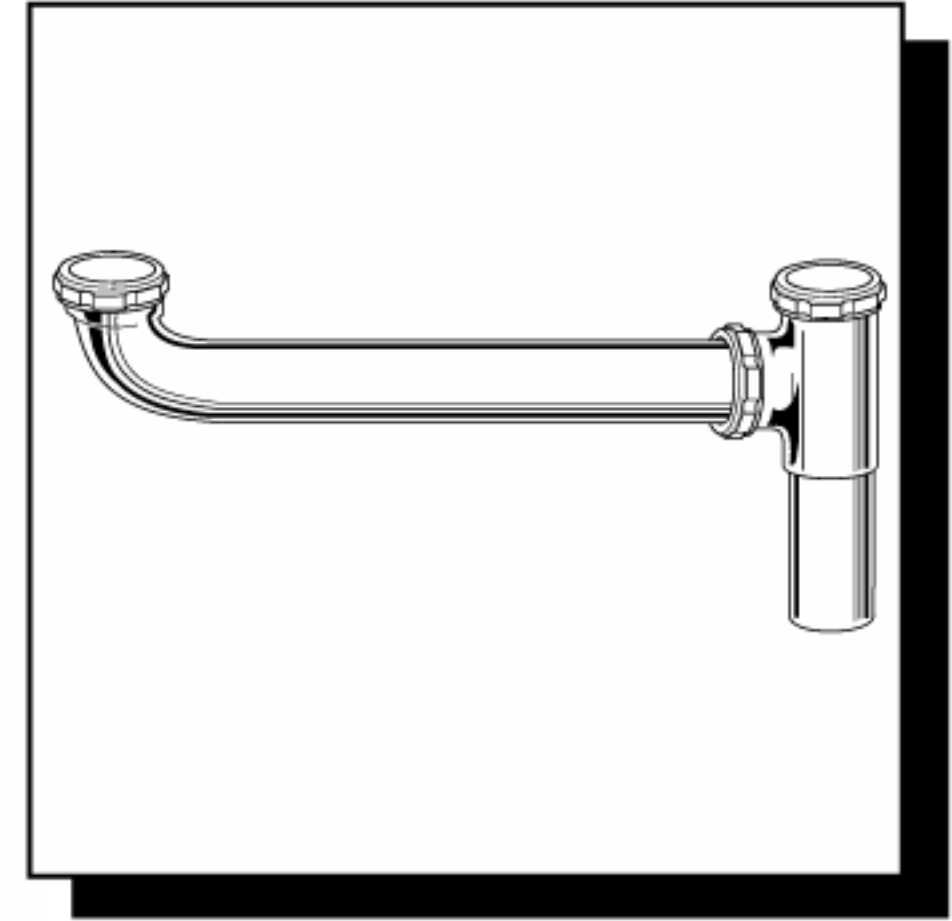


DESCRIPTION

- End Outlet sink waste, 1-1/2" x 16" slip joint - 20 gauge.
- Includes: (1) regular waste arm, (1) tailpiece, T.O.E. 1-1/2" x 3", (3) 1-1/2" brass nuts, (3) 1-1/2" rubber washers, (1) 1-1/2" baffle tee.
- Unfinished.



L.A. CODE
END OUTLET
SINK WASTE
50-3

