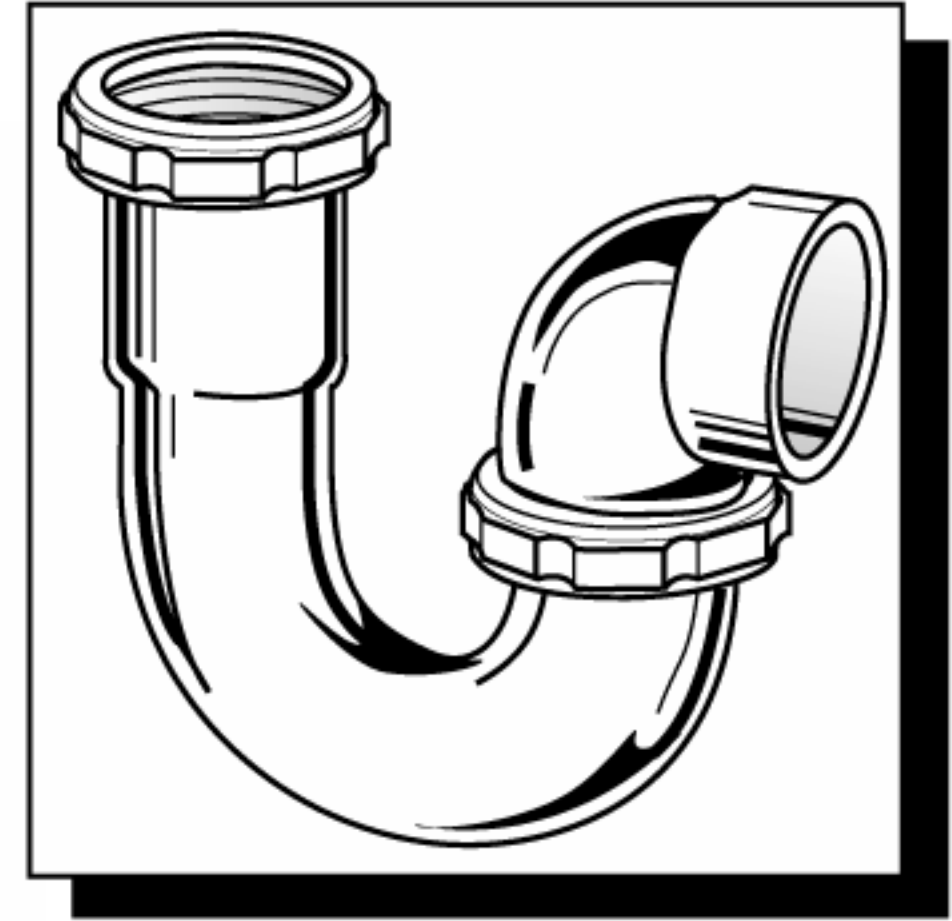


DESCRIPTION

- 1-1/4" Sink-Trap with washer joint connection, and 1-1/4" NPT elbow -17-Gauge
- Also includes: (1) 1-1/4" die cast nuts, (1) 1-1/4" J-bend w/ captured brass nut, (1) 1-1/4" rubber washer, (1) 1-1/4" Poly washer



737-1
1-1/4" SINK-TRAP-17 GA
WITH 1-1/4" NPT ELBOW

